



Fox Delta

Amateur Radio Projects & Kits

FD- WX1

Schematic & Parts List : PIC16F877 based 4x20 LCD APRS Weather Station

WX1 Kit Parts List:

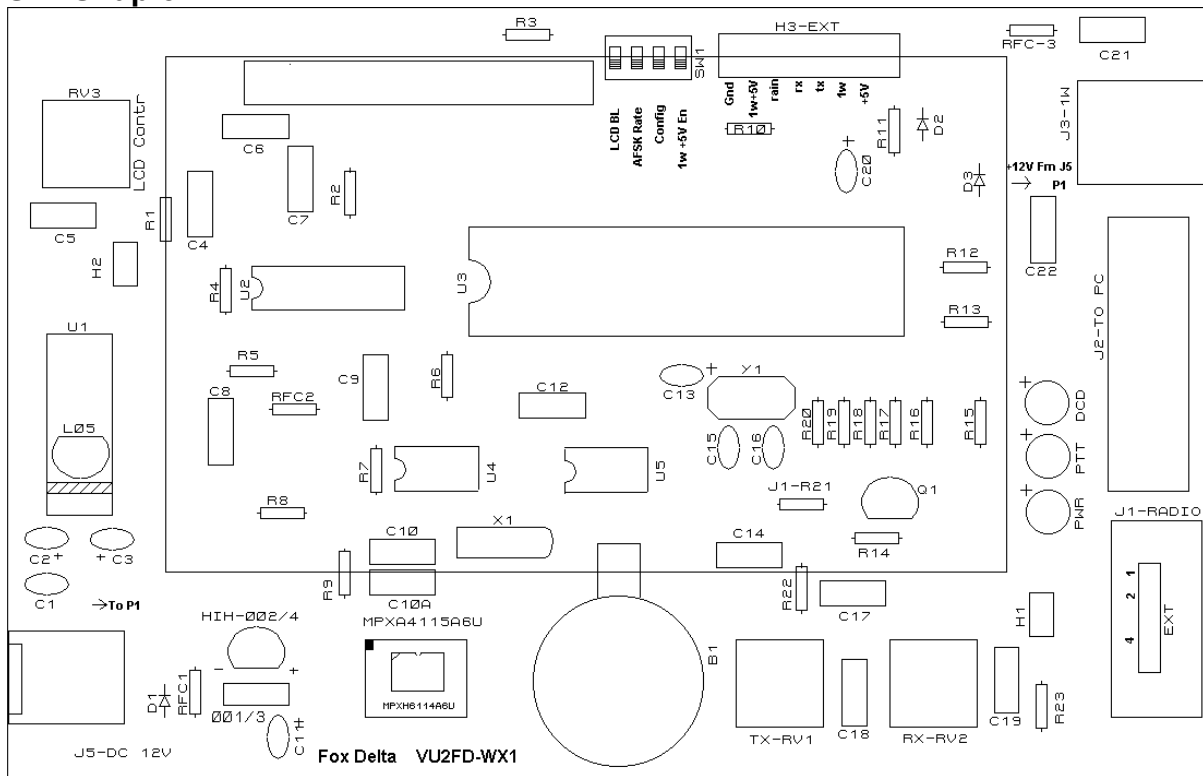
ICs, Sensors, Crystals & Other Hardware:

Quantity	Check	Part Detail
1		PIC16F877 DIP / U3
1		DS1621 / U4
1		DS1307 / U5
1		MCP6024 / U2
1		7805 Regulator (U1)
1		IC Socket 40Pin (PIC16f877A)
1		IC Sockets 14pin (MCP6024)
2		IC Socket 8 pin (DS1621 & 1307)
1		LCD 4x20 (with 16pin male/female SIL headers)
1		Crystal 32.768khz
1		Crystal 20.00mhz
1		Socket D9F R/A
1		Socket RJ12 R/A
1		DC Socket
1		DIN5 Socket
3		10K Presets
3		3mm LED
1		8pin Ext header
1		4way DIP switch
1		BC547B (Q1)
1		RTC Cell Holder
2		BAT85 (D2,3)
3		10uh RFC
1		1N4148
1 set		LCD Support
1		WX1 Double Sided PTH PCB
Total	34	

Quantity	Check	Part Detail
Sensors: Following sensors are only supplied with Full Kits or Fully Assembled Units		
1		MPXA4115A6U
1		HIH-3610
Total	2	

Quantity	Check	Part Detail
Resistors		
3		1M (R1, 5, 8)
6		10K (R4, 6, 7, 10, 13, 16)
1		10 Ohms (R3)
1		15K (R2)
1		1.5K (R11)
4		1K (R12, 14, 15, 17)
1		2K (R18)
1		3.9K (R19)
1		8.2K (R20)
1		220K (R22)
1		2.2k (R23)
1		750 ohms (R9)
Total	22	Note: J1-R21 is not required nor supplied or installed
Capacitors		
16		0.1uf Poly (C1,4,5,6,7,9,10,10A,12,14,17,18,19,21,22)
5		1uf Tantalum (C2,3,11,13,20)
2		22pf Ceramic
Total	23	

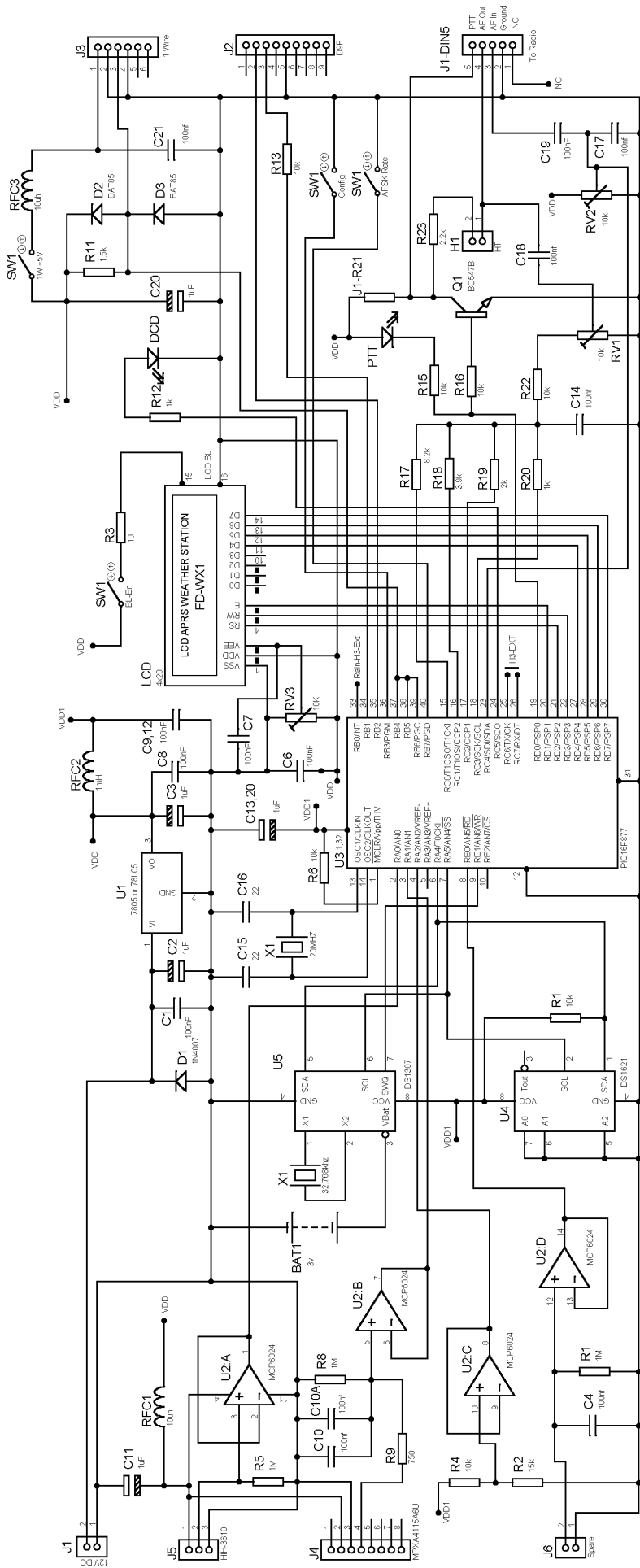
Silk Snap of WX1:



Dinesh Gajjar
21st May 2008

For more details, please visit Project Page: <http://www.foxdelta.com>

Schematic on the next page.....



VU2FD WX1: APRS Weather Station: FD-WX1

Design: Dinesh Gajjar/VU2FD/http://www.vu2fd.com

uWeather is copyrighted design of David R. Andersen. <http://www.rxcomm.net>. Amateur Radio Kits produced on non-profit bases under permission