

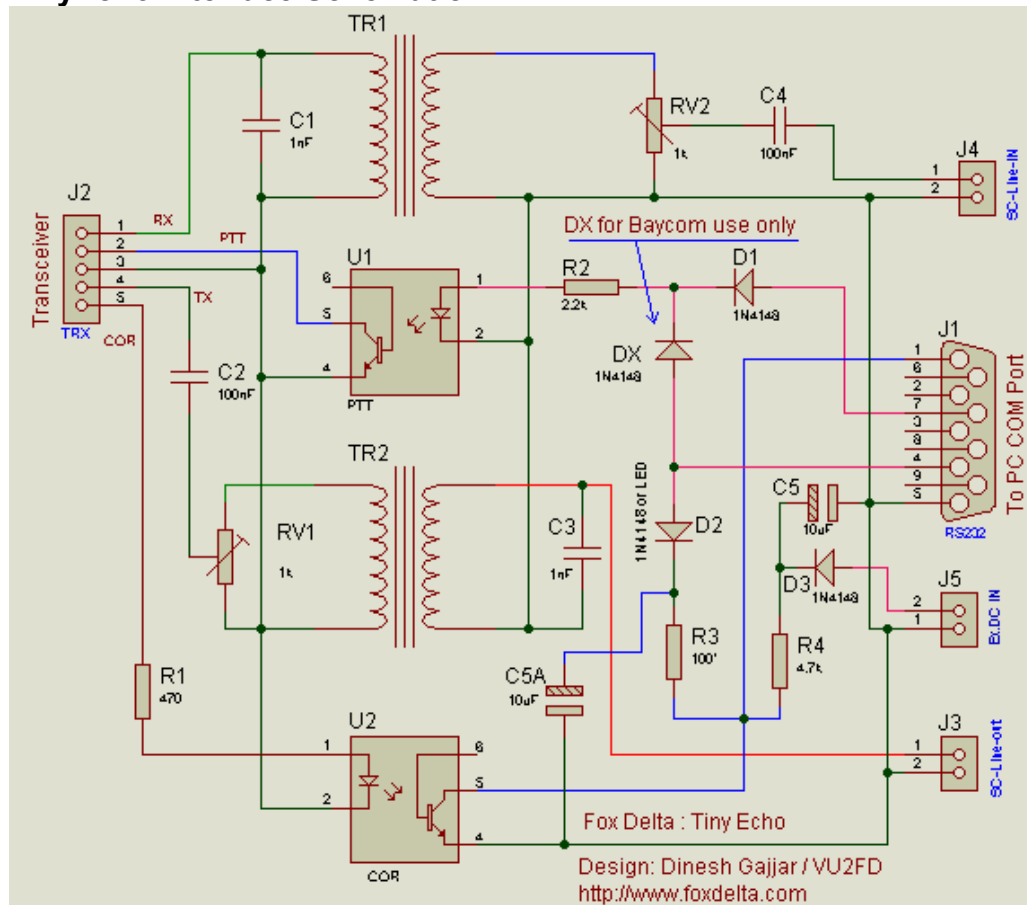


## Schematic & Parts List for Fox Delta Tiny Echo VOIP Interface

### TinyEcho VOIP Interface Parts List:

Quantity	Part ID / Details
2	600 ohms Isolation Transformers
2	4N33S Opto Couplers SMD
1	D9F Serial Connector Female PCB (J1)
2	1K Presets: Bourns 10T Vertical PCB. (RV1/2)
3	1N4148 Diodes
2	0.1uf Ceramic (C2, C4)
2	0.001uf Ceramic (C3, C1)
1	10uf Electrolytic C5 (C5A)
1	470 ohms (R1)
1	100 ohms (R3)
1	2.2k (R2)
1	4.7k (R4)
1 Each	DC Connector PCB & DC Plug (J5)
1 Each	DIN 5 PCB Connector & Plug (J2)
2	Stereo connectors PCB (J3, 4)
1	Tinyecho Double Sided PTH PCB

### TinyEcho Interface Schematic:



Designed by: Dinesh Gajjar / Nov 2006

Visit Project Page at: <http://www.products.foxdelta.com>