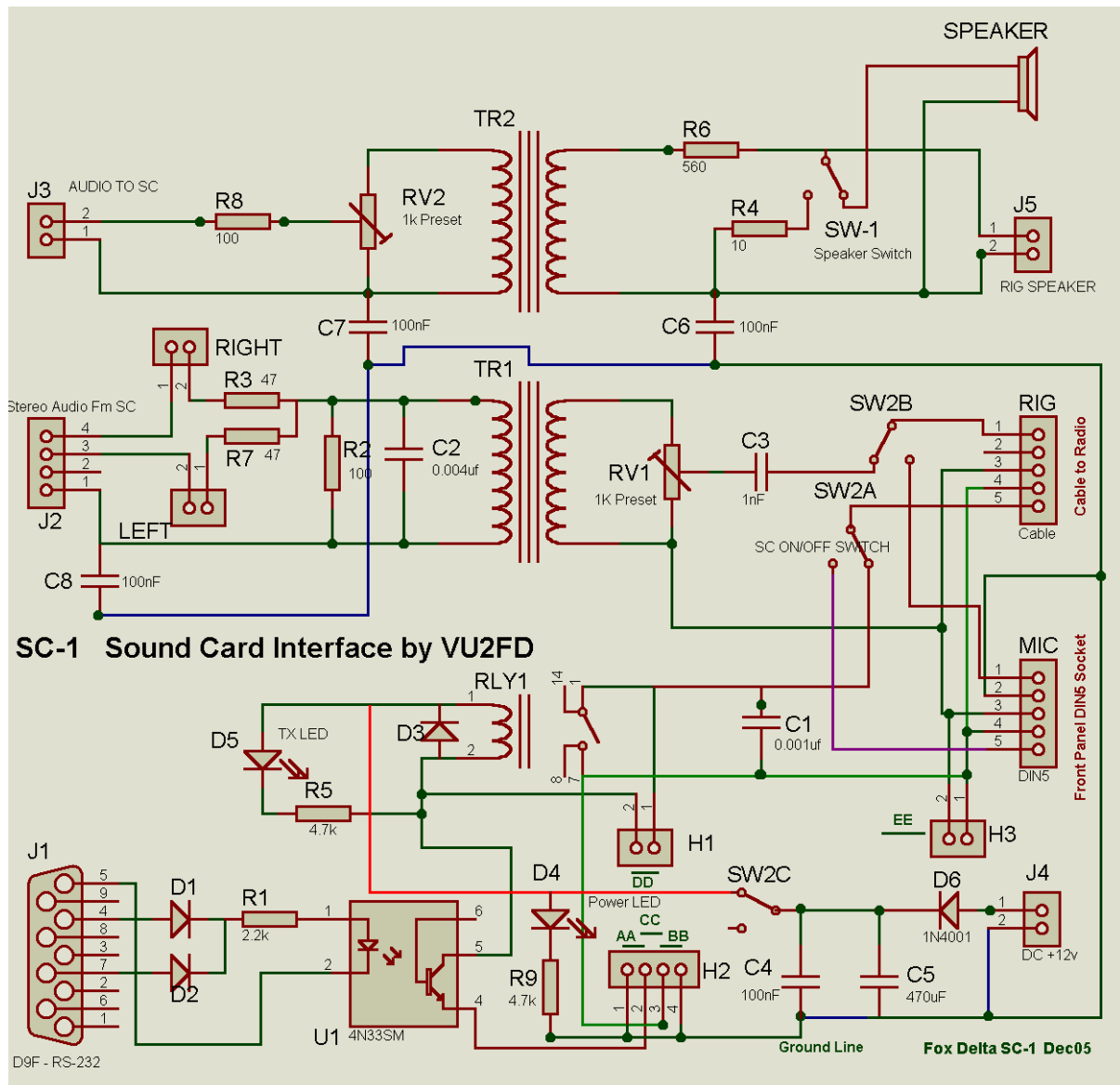




Schematic & Parts List: Sound Card Interface for Digital Communication

The Schematic of the Sound Card Interface:



High Resolution JPG schematic is available at:
<http://products.foxdelta.com/sound/soundcardsch.jpg>

Parts List:

Bill Of Materials For Sound Card Modem

Design Title : Sound Card Modem
Author : Dinesh Gajjar
Revision :
Design Created : Wednesday, March 23, 2004
Design Last Modified : Thursday, August 18, 2004
Total Parts In Design : 42

8 Resistors

<u>Quantity:</u>	<u>References</u>	<u>Value</u>
1	R1	2.2k
2	R2, R8	100
2	R3, R7	47
1	R4	10
1	R5	4.7k
1	R6	560

5 Capacitors

<u>Quantity:</u>	<u>References</u>	<u>Value</u>
1	C1	0.001uf
1	C2	0.004uf
1	C3	1nF
1	C4	0.1uf
1	C5	100uf

1 Integrated Circuits

<u>Quantity:</u>	<u>References</u>	<u>Value</u>
1	U1	4N33SM

6 Diodes

<u>Quantity:</u>	<u>References</u>	<u>Value</u>
4	D1-D4	1N4148
1	D5	TX LED
1	D6	1N4001

22 Miscellaneous

<u>Quantity:</u>	<u>References</u>	<u>Value</u>
1	H4	PWR-GND Select
1	H6	No-Relay Header
1	J1	DB9 - RS-232
1	J2	Stereo Audio Fm SC
1	J3	AUDIO TO SC
1	J4	DC +12v
1	J5	RIG SPEAKER
1	LEFT	LEFT CHANNEL AUDIO
1	MIC	DIN5
1	REED 14DIL	12V Reed Relay 1NO
1	RIG	Cable
1	RIGHT	Right Channel Audio
1	RLY1	Reed Relay 12V
2	RV1, RV2	1K Preset
1	SPEAKER	Speaker 8 ohms
1	SW-1	Speaker Switch
3	SW2A, SW2B, SW2C	SC ON/OFF SWITCH
2	TR1, TR2	2 X 600 CT

For more details on revision of this project & Details on other projects, Please Visit:

<http://foxdelta.com>