



Fox Delta

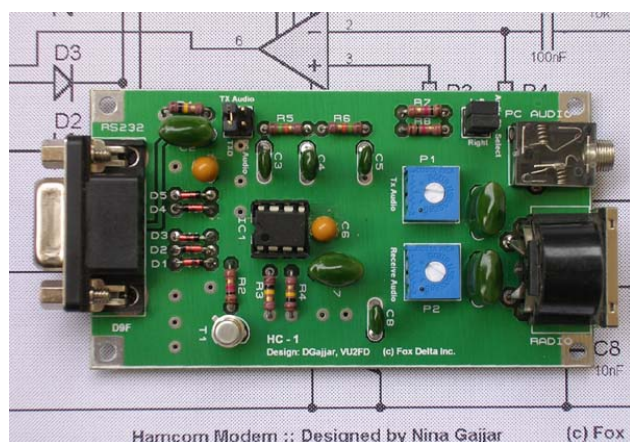
Hobby Projects by Nina Gajjar

HAMCOM

Technical Details & Assembly Note: Hamcom Interface for your PC

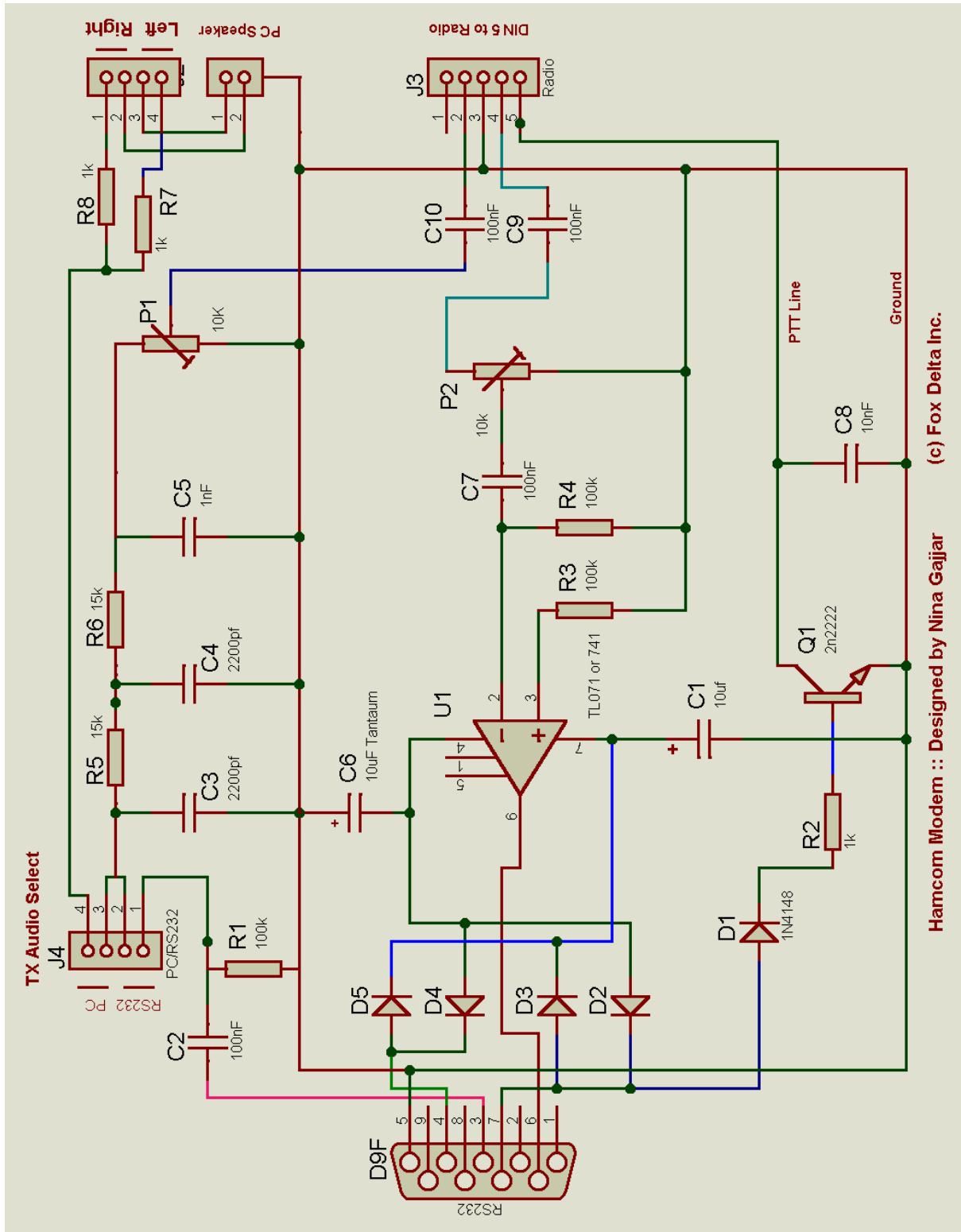
Hamcom Computer Interface Parts List:

U1	UA741 /TL081
Radio Connector	DIN 5 : MIC, Radio & PTT
PC Audio	3.5mm Stereo
D9F	RS232 from PC Com Port.
T1	2N2222 / BC547
P1, 2	10K Presets Bourns
R1, 3, 4	100k
R2, 7, 8	1K
R5, 6	15K
C1, 6	10uf Tantalum
C8	0.01uf
C3, 4	2200pf
C5	1000pf
C2, 7, 9, 10	0.1uf
PC Headers	Stereo Ch. Select: Select Left, Right or Both
J4	TX audio Select: TXD or PC



Completed Hamcom Interface

Schematic on the next page.....



Document & Schematic by: Nina Gajjar. 15th January 2006

For more information, please visit: <http://nina.foxdelta.com>