



Schematics & Parts List: Compact PIC 16F84A APRS Tracker for Portable Rigs

FoxTrak: Micro Controller Based APRS Tracker Interface:

FoxTrak Kit Parts List

Quantity	Part ID / Details
1	FoxTrak PCB
1 Each	D9M & D9F R/A Connectors
2	1N4148
1	1N4007
1	PIC16F84A with firmware Foxtrak.hex
1	18PIN IC Socket
1	7805
3	1uf/35V Tantalum
5	0.1uf ceramic capacitors
2	22pf ceramic
1	Crystal 10.000MHZ
1	NPN Transistor BC547B
2	10k Bourns Presets 10T
4	LEDs 3mm (2 green, 2 red)
1	R/A Push Switch (SW1)
	Resistors
5	1k
1	100k
2	10k
1	2k
1	3.9k
1	8.2k
1	2.2k
H1, 2, 3, 4	Headers with shorting pins
1	Null-modem PCB with 2xD9F connectors and headers.

Notes:

PTT is configured for portable use. Remove R7 for non-portable use.

Header H3, 4 = Beacon Control (Refer Technical Doc for details)

Header H2 = LEDs on/off

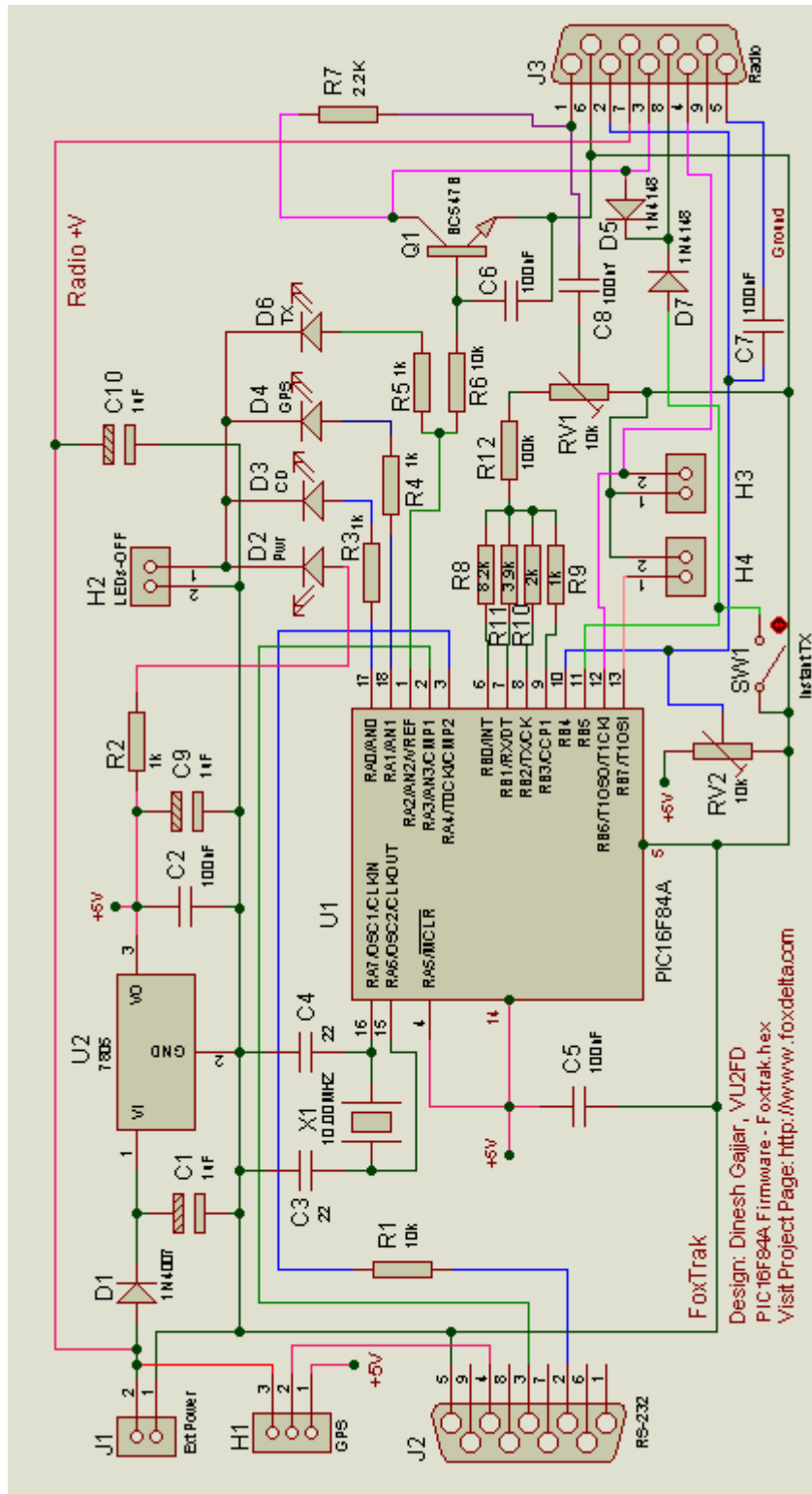
H1 = GPS Power selector

SW1 = Immediate TX push button. Also available at Radio Connection J3 - #4

J3 = Radio Connections & DC Supply Input

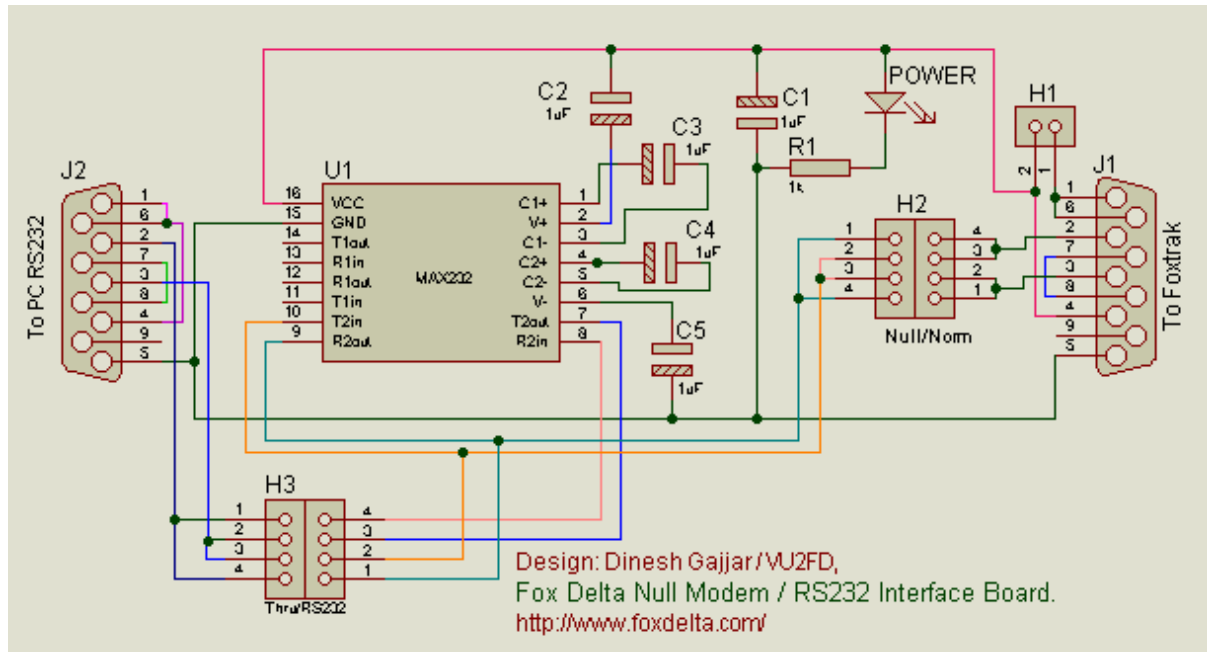
J2 = RS232 to GPS. Also used for configuration using a null modem cable.

Schematic of the FoxTrak APRS Interface:



Schematic Changes: C8 changed to 0.1uf

FoxTrak Null Modem Adapter for Configuration:



The basic null-modem version, without MAX232 & Associated components, is supplied free of charge with the FoxTrak kits.

Dinesh Gajjar
Updated: 23.01.07

Visit Project Page at: <http://www.products.foxdelta.com>

(3)